

A

A

B

B

C

C

D

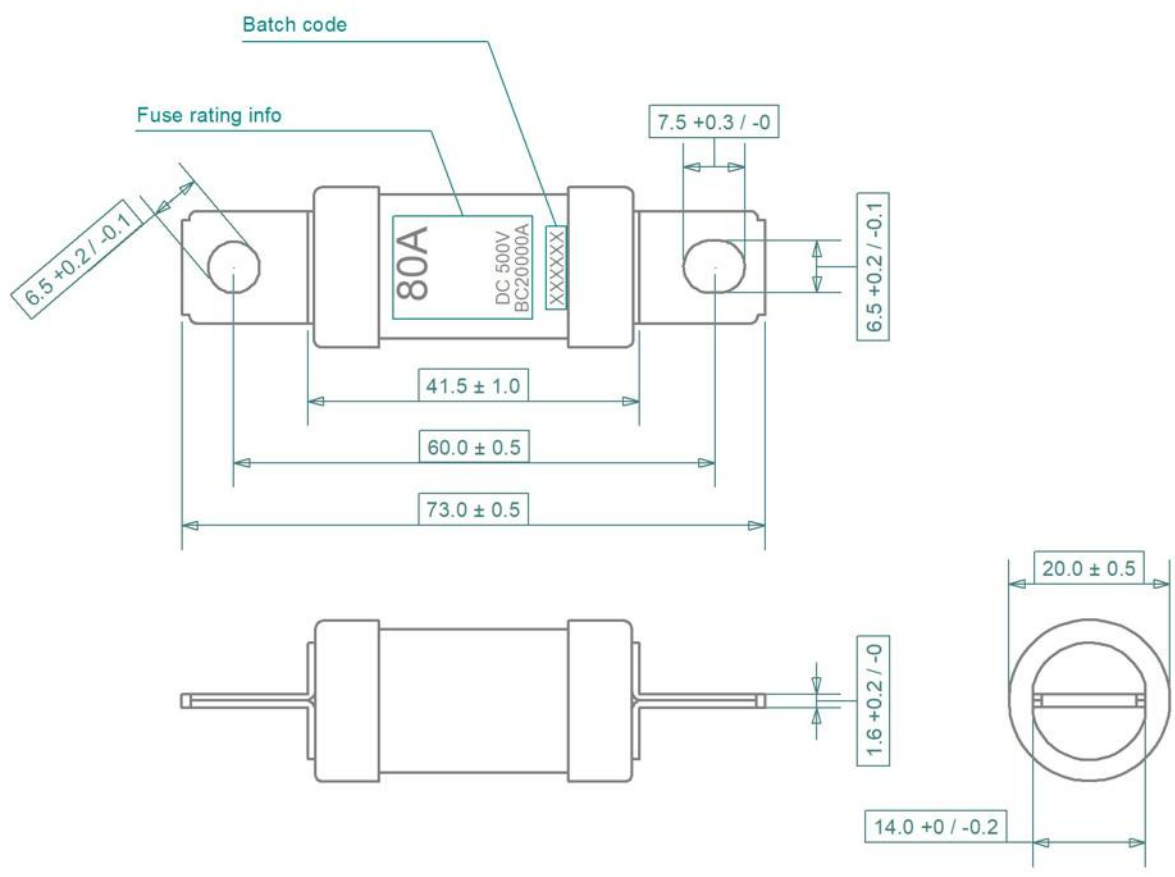
D

E

E

F

F



Notes	
Fuse body	Ceramic tube, laser marked, silica sand filled
Fuse element	Copper or copper alloy
End caps/tabs	Copper, Sn plated

Use specifications	
Operating temp. limit	-40 to +85 °C
Operating humidity	Maximum 95%
M5 fixation torque	9.0 ± 1.0 N/m

iMaXX Reference	Rating [ A ]	Rated voltage [ DC V ]	Breaking Capacity [ A ]
EV28-060-M6	60	500	20 000
EV28-070-M6	70	500	20 000
EV28-080-M6	80	500	20 000
EV28-100-M6	100	500	20 000
EV28-125-M6	125	500	20 000

Fusing time [s]		
Load [%]	Minimum [s]	Maximum [s]
110 %	14 400	-
135 %	150	3 600
150 %	20	1 000
200 %	8	150
300 %	1	15
500 %	0.05	1

Revisions			Date	Appr.
Date	Type	Drawn	08/20	GRH
		Checked	08/20	AdH
		Standards		
		Approved	08/20	BE
		Scale	2 : 1	
		Projection		
		Tolerance	± 0.2 mm unless otherwise noted	



Title	EV28-XXX-M6 series, EV fuse		
Drawing type	schematic		
Drawing number	EV28-XXX-M6 drawing 1		
Sheet	1 of 1		
Layers / Sheet	0 1 2	6 8 9	Sheet 01